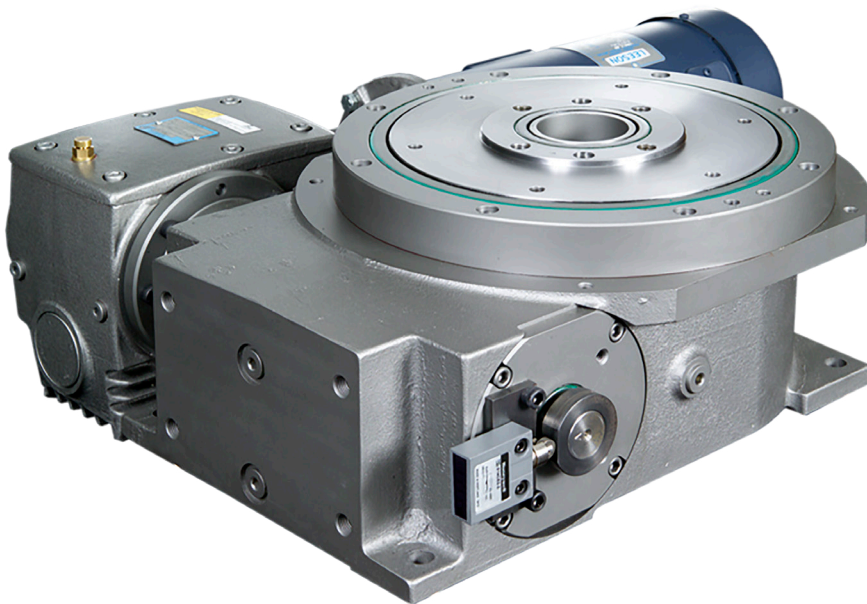


Rotary Dial Index Drives

Cyclo-Index DT Series mechanical index drives are designed for dial plate indexing and many other intermittent motion applications.



STANDARD PACKAGE

- 4800 DT Series Indexer.
- 1 hp, 90V DC motor.
- Worm drive reducer with choice of ratio.
- DC motor controller, variable speed, dynamic braking.
- Cam and limit switch for cycle-on-demand.
- Center through-hole (2.25") for power/signal apparatus.
- Universal mounting capability.

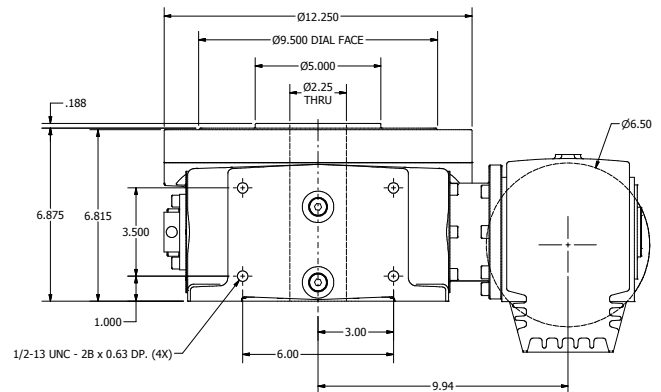
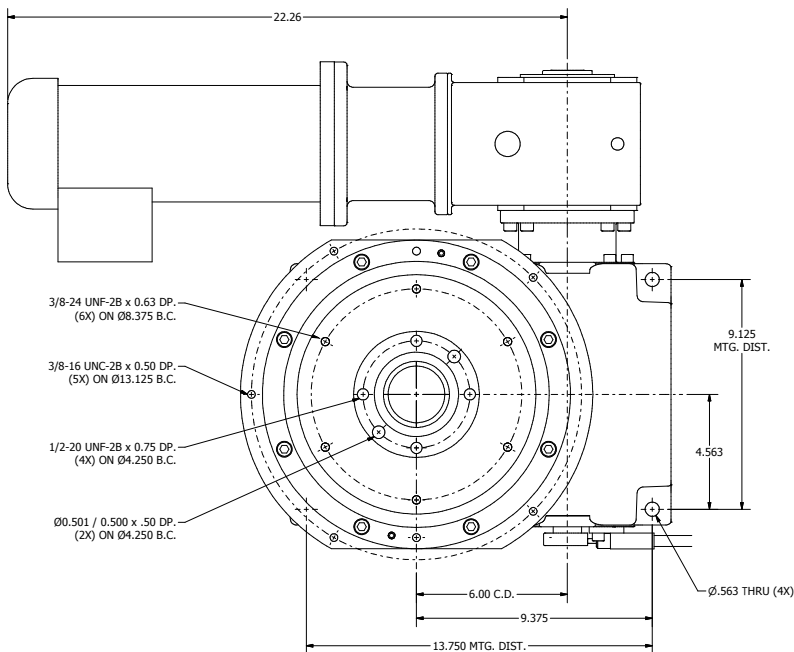
The Cyclo-Index 4800 Series Dial Table Index Drive Package is the latest addition to our line of cam-driven rotary dial indexers. The 4800 DT provides smooth, mechanical indexing motion and handles up to 11,000 in-lb of torque. Models range from 4-position to 16-position, with various input periods available.

DT SERIES FEATURES

- Globoidal cam.
- Large output element.
- Low profile.
- Rugged cast-iron housing.
- Wide variety of motions.

CAPACITIES AND KINEMATIC DATA: 4800 DT DRIVE

# Stops	Motion	Constant Velocity	K_j	K_f	Internal Inertia (lb-in ²)	B_{10} Capacity (in-lb) at 50 Indexes/Min	Max Torque Capacity (in-lb)
4	330-1/4	33%	0.22	0.38	477	6450	6789
6	270-1/6	0%	0.22	0.39	477	7361	7748
8	270-1/8	33%	0.13	0.23	514	8642	9097
12	270-1/12	0%	0.11	0.20	477	9745	10258
12	180-1/12	0%	0.16	0.29	477	9341	9833
12	150-1/12	0%	0.20	0.35	477	9096	9575
12	120-1/12	33%	0.20	0.35	477	9096	9576
16	270-1/16	0%	0.08	0.15	514	11109	11694
16	180-1/16	0%	0.12	0.22	514	10936	11512
16	150-1/16	33%	0.12	0.21	514	10807	11376



Motor mounting side 1 shown, side 3 is opposite.